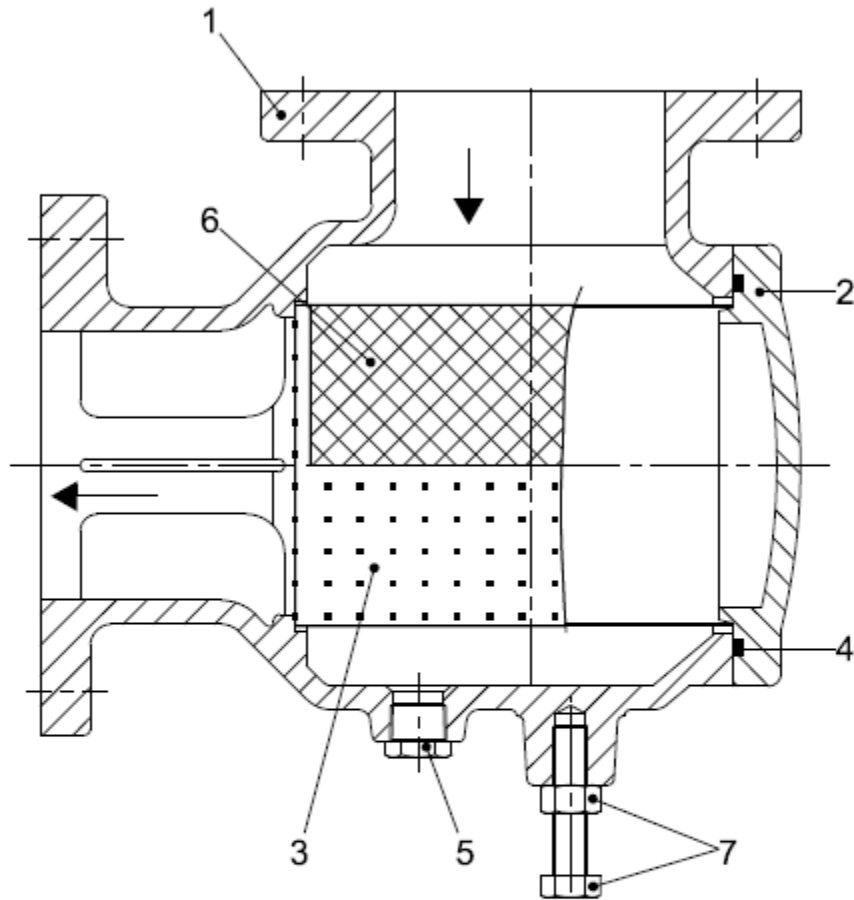


Sectional drawing and components



TM04 7050 1510

Fig. 3 Sectional drawing of a suction diffuser

Po no.	Description	Po no.	Description
1	Body	5	Drain plug
2	Cover	6	Screen (temporary)
3	Screen (permanent)	7	Bolt, nut
4	O-ring		