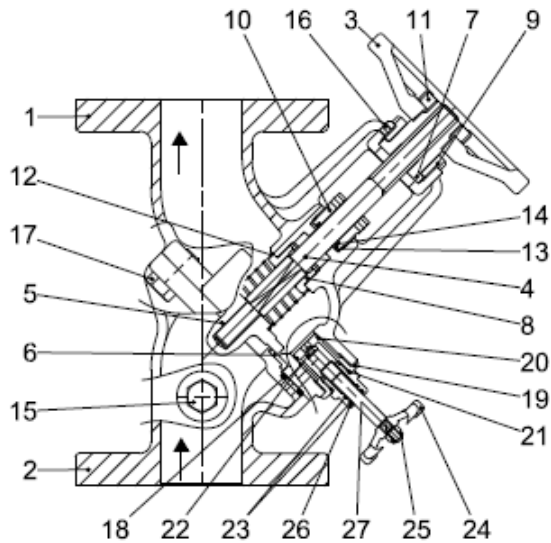


**Grundfos Combination Values**

**Sectional drawing and components**



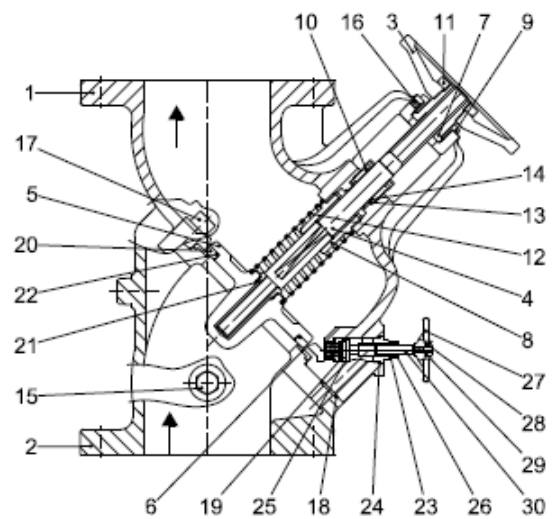
TM04 79 16 2410

**Fig. 4** Sectional drawing of a combination valve  
2" to 8"

**Typical component list**

Po no.	Description	Po no.	Description
1	Upper body	16	Socket set screw
2	Lower body	17	Bolt
3	Hand wheel	18	O-ring
4	Stem	19	Soft seat (bypass)
5	Disc	20	O-ring
6	Soft seat	21	O-ring
7	Sleeve (on shaft)	22	Disc packing
8	Bush	23	O-ring
9	Yoke nut (on shaft)	24	Hand wheel
10	Gland	25	Locknut
11	Hand wheel nut	26	Bonnet
12	Spring	27	Stem B
13	Gasket		
14	O-ring		
15	Plug		

Positions 20-27 cover the bypass valve only.  
2" to 8" valves.



TM04 73 88 2010

**Fig. 5** Sectional drawing of a combination valve  
10" to 14"

**Typical component list**

Po no.	Description	Po no.	Description
1	Upper body	16	Socket set screw
2	Lower body	17	Wrench bolt
3	Hand wheel	18	O-ring
4	Stem	19	Soft seat (bypass)
5	Disc	20	Disc ring
6	Soft seat	21	Disc bush
7	Sleeve (on shaft)	22	O-ring
8	Bush	23	Bonnet
9	Yoke nut (on shaft)	24	O-ring
10	Gland	25	Disc packing
11	Hand wheel nut	26	O-ring
12	Spring	27	Hand wheel
13	Gasket	28	Nut
14	O-ring	29	Spring washer
15	Plug	30	Stem B

Positions 23-30 cover the bypass valve only.  
10" to 14" valves.